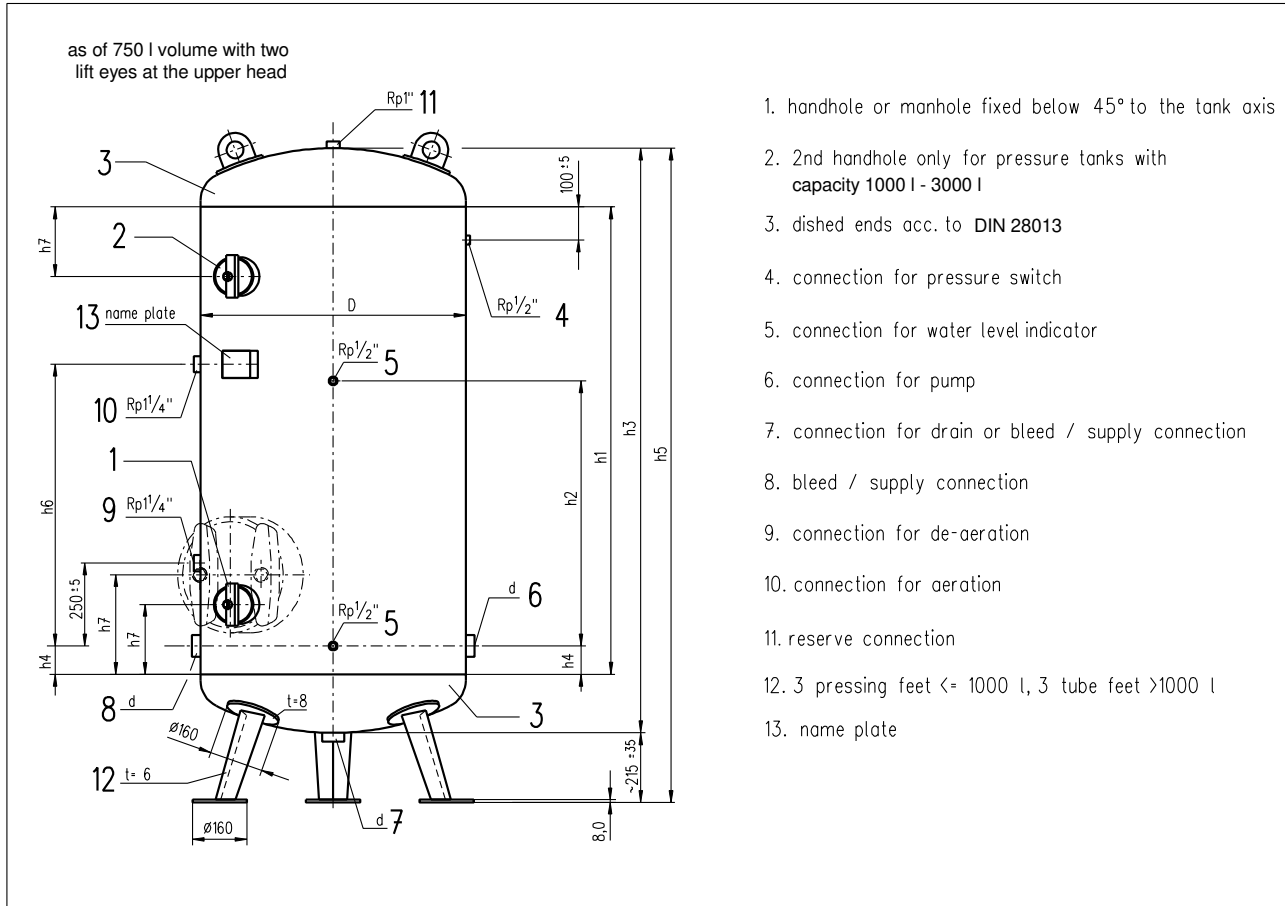


Pressure vessel ROBO 9610
construction for shipping
made of stainless steel
to HEIDER works standard, constructed identically DIN 4810



volume in liter	D	d	h1	h2	h3	h4	h5	h6	h7	handhole/ manhole		~weight in kg	
										no.	size	6 bar	10 bar
100	350	Rp 2"	1000	500	1220	85	1450	500	210	1	100x150	31	33
150	450	Rp 2"	750	500	1020	85	1240	500	210	1	100x150	35	36
300	550	Rp 2"	1000	700	1320	85	1530	675	210	1	100x150	53	55
500	650	Rp 2"	1250	700	1630	85	1840	800	210	1	100x150	69	87
750	800	Rp 2"	1250	700	1700	85	1885	800	210	1	100x150	91	130
1.000	800	Rp 2"	1700	1000	2150	85	2335	1050	210	2	100x150	116	165
1.500	1000	Rp 3"	1500	1000	2050	120	2230	1000	300	2	100x150	184	272
2.000	1100	Rp 3"	1700	1000	2300	120	2485	1125	300	2	100x150	226	339
3.000	1150	Rp 3"	2500	1000	3130	120	3305	1500	300	2	100x150	331	483
4.000	1400	Rp 3"	2000	1000	2780	120	2980	1390	300	1	320x420	562	803
5.000	1500	Rp 3"	2250	1000	3060	120	3260	1550	300	1	320x420	672	955
6.000	1500	Rp 3"	2750	1000	3560	120	3760	1825	300	1	320x420	749	1077
7.000	1600	Rp 3"	2750	1000	3650	120	3860	1875	300	1	320x420	964	1206
8.000	1600	Rp 3"	3250	1000	4150	120	4350	2125	300	1	320x420	1062	1323
10.000	1600	Rp 3"	4500	1000	5400	120	5600	2625	300	1	320x420	1259	1559

suitable mediums: drinking water
 used material: stainless steel, 1.4571 or equivalent
 surface protection: pickled in acid solution + passivated
 operating temperature: 0 - 50 °C
 approval: GL, LROS, DNV, BV, ABS
 specification: according to the rules of the relevant shipping classification company