

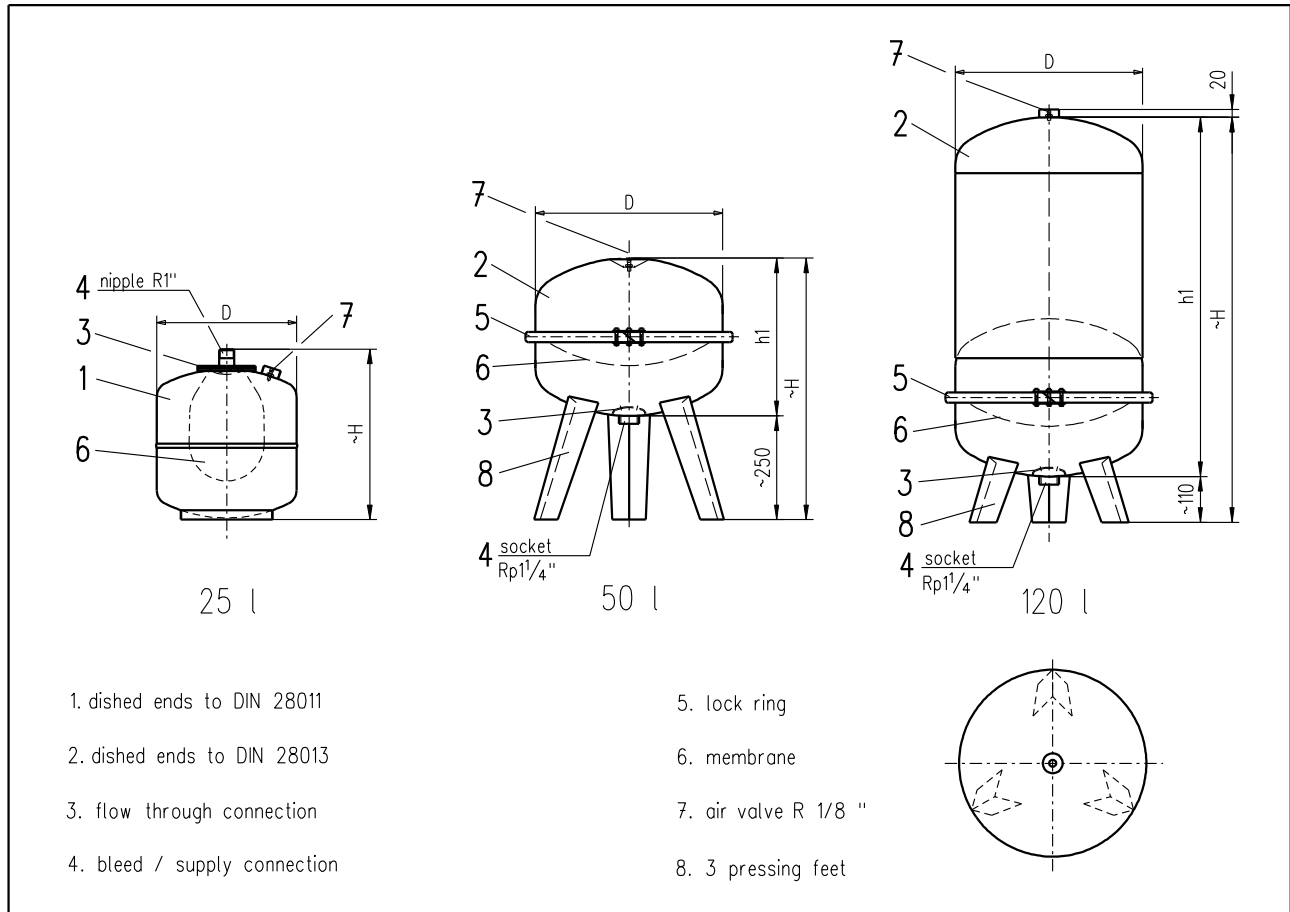
HEIDER

Membrane pressure vessel ROBOBRAN

made of stainless steel

to HEIDER works standard

acc. closely DIN 4807 part 5, for drinking water



volume in liter	item-no. with max. operating pressure		D	~H	~h1	~ weight in kg	
	6 bar	10 bar				6 bar	10 bar
25	508300	-	318	410	-	8	-
50	508302	508502	455	630	380	12	19
120	508304	508504	455	975	865	24	32

suitable mediums:
used material:
surface protection:
operating temperature:
approval:
basis for inspection:
specification:

drinking water
stainless steel
pickled in acid solution + passivated
0 - 50 °C
CE, design tested
PED 2014/68/EU
EN 13445

purchase description (example):

ROBOBRAN, 120 l, 6 bar,
item-no. 508304