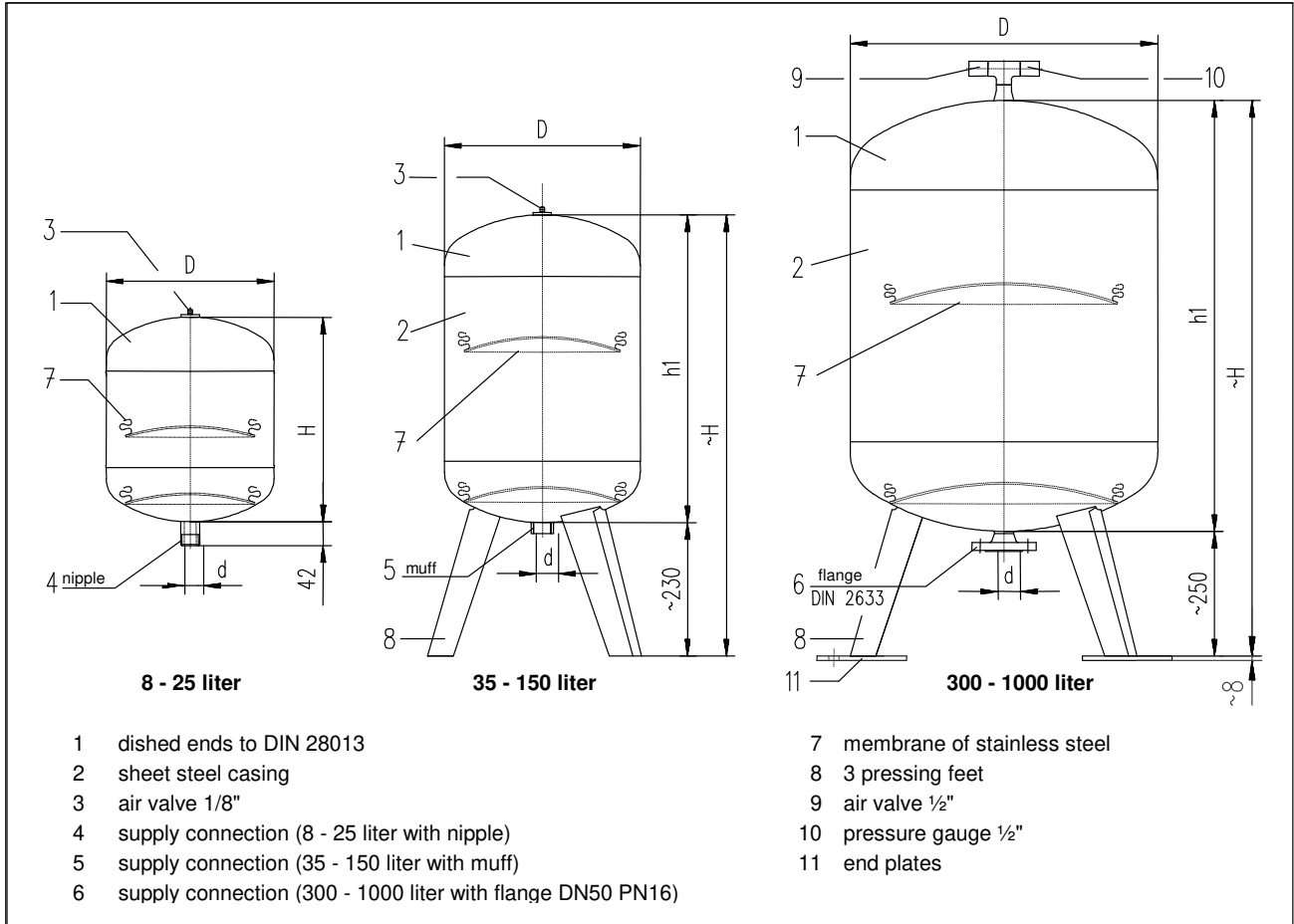


Membrane pressure vessel ROBOBRAN 200
made of stainless steel completely
to HEIDER works standard with membrane of stainless steel
acc. to DIN 4807 part 5, for drinking water



nominal volume in liter	useable volume in liter	item-no. with max. operating pressure		D	d	~H	~h1	~ weight in kg	
		6 bar	10 bar					6 bar	10 bar
8	5	514300	514500	300	R 1"	275	-	9	9
12	8	514302	514502	300	R 1"	275	-	10	10
18	12	514304	514504	300	R 1"	300	-	11	11
25	18	514306	514506	300	R 1"	375	-	12	14
35	25	514308	514508	350	Rp 1"	650	400	17	19
50	35	514310	514510	350	Rp 1"	750	510	20	22
100	65	514312	514512	450	Rp 1"	1000	750	40	44
150	100	514314	514514	550	Rp 1"	1000	770	57	63
300	200	514316	514516	800	DN 50	1600	1320	205	227
500	350	514318	514518	1000	DN 50	1650	1400	305	338
750	450	514320	514520	1150	DN 50	1700	1400	423	470
1.000	650	514322	514522	1250	DN 50	1700	1450	471	523

suitable mediums: drinking water, oil, some chemicals
 used material: stainless steel, 1.4571 or equivalent
 surface protection: pickled in acid solution + passivated
 operating temperature: -50 up to +200 °C
 approval: CE, design tested
 basis for inspection: PED 2014/68/EU
 specification: AD 2000

purchase description (example):

ROBOBRAN 200, 50 l, 10 bar,
 item-no. 514510